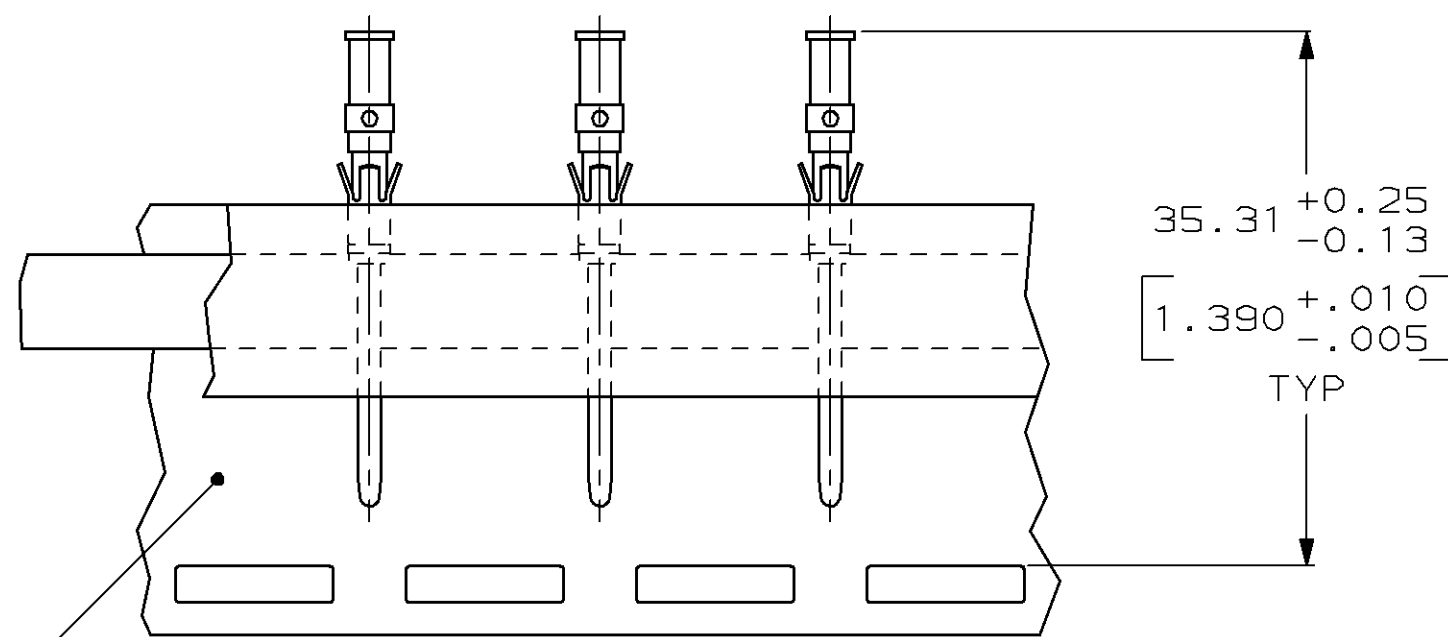
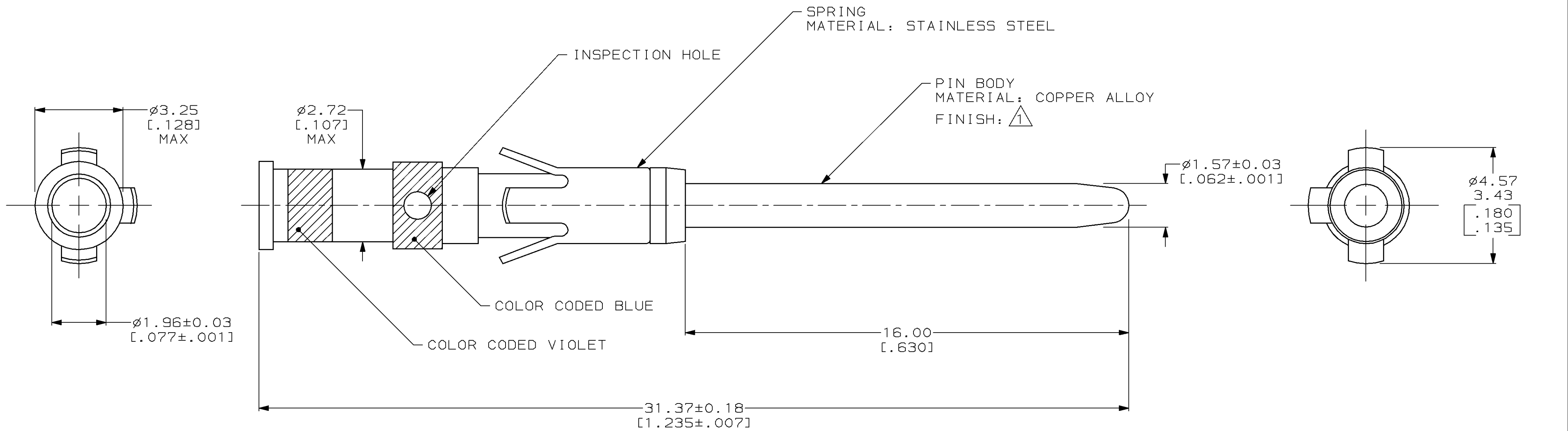


THIS DRAWING IS UNPUBLISHED. RELEASED FOR PUBLICATION
 BY AMP INCORPORATED. ALL RIGHTS RESERVED.

Loc		DIST		REVISIONS			
P	LTR	DESCRIPTION		DATE	DWN	APVD	
FT	8	D		REDRAWN W/O CHANGE PER EC 0320-109-96	26 NOV 97	-	-



MYLAR TAPE

TAPE MTG DETAIL
SCALE 2:1

1 0.76µm [.000030] MIN GOLD OVER 1.27µm [.000050] MIN NICKEL.

TAPE MTD	212618-2
STANDARD	212618-1
PACKAGING TYPE	PART NUMBER

THIS DRAWING IS A CONTROLLED DOCUMENT.		DWN	B. CARBO	26 NOV 97	AMP AMP Incorporated Harrisburg, PA 17105-3608
DIMENSIONS: mm (INCHES)		CHK	R. STONE	10 DEC 97	
TOLERANCES UNLESS OTHERWISE SPECIFIED:		APVD	G. STEINHAUER	06 JAN 98	CONTACT ASSEMBLY, PIN, #16, TYPE II
0 PLC ±-		PRODUCT SPEC	-		
1 PLC ±-		APPLICATION SPEC	-		SIZE
2 PLC ±0.13 [.005]		WEIGHT	-		CAGE CODE
3 PLC ±-		CUSTOMER DRAWING	-		DRAWING NO
4 PLC ±-		SCALE	10:1		SHEET
ANGLES ±-		SCALE	10:1		OF
FINISH		SCALE	10:1		REV
SEE CALLOUTS		SCALE	10:1		D